

Specifications

HJ-XXXCE stands for EC type approval models.

Model with EC approval	HJ-220E HJ-220CE	HJ-320E HJ-320CE	HJ-420E HJ-420CE	HJ-620E HJ-620CE	HJ-1200E HJ-1200CE	HJ-2200E HJ-2200CE	HJ-3200E HJ-3200CE	HJ-4200E HJ-4200CE	HJ-6200E HJ-6200CE
Capacity	220g	320g	420g	620g	1200g	2200g	3200g	4200g	6200g
Readability	0.001g				0.01g				
Repeatability(s)	0.001g				0.01g				
Non-Linearity(typ.)	±0.001g				±0.01g				
Pan size	120×140mm				200×200mm				
Dimensions(LWH)	333×220×186mm (including windshield)				333×220×88mm				
Weight units*1	g, ct, oz, lb, ozt, dwt, GN, t!(Hong Kong), t!(Taiwan), t!(Singapore, Malaysia), momme, tola								
Calibration	With external weight								
Weight	Approx. 3.5kg				Approx. 4.0kg				

Model with EC approval	HJ-8200E HJ-8200CE	HJ-10KE HJ-10KCE	HJ-12KE HJ-12KCE	HJ-15KE HJ-15KCE	HJ-21KE HJ-21KCE	HJ-31KE HJ-31KCE
Capacity	8200g	10000g	12000g	15000g	21000g	31000g
Readability	0.1g	0.05g	0.1g	0.1g	0.1g	0.1g
Repeatability(s)	0.1g	0.05g	0.1g	0.1g	0.1g	0.1g
Non-Linearity(typ.)	±0.1g	±0.05g	±0.1g	±0.1g	±0.1g	±0.1g
Pan size	200×200mm	200×200mm		220×250mm		
Dimensions(LWH)	330×220×88mm	330×220×88mm		330×260×112mm		
Weight units*1	g, ct, oz, lb, ozt, dwt, GN, t!(Hong Kong), t!(Taiwan), t!(Singapore, Malaysia), momme, tola					
Calibration	With external weight					
Weight	Approx. 4.0kg		Approx. 8.5kg	Approx. 9.5kg		

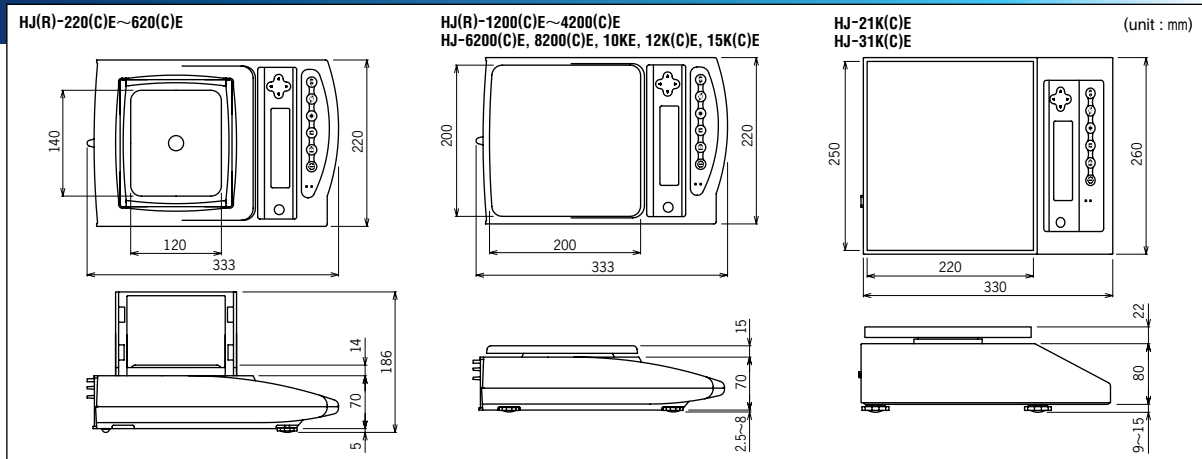
Common Specification

Power source: AC120/230V DC12V
 Output: RS-232C 2outputs
 Measuring system: Tuning-fork frequency sensing (MMTS)
 Tare: Full weighing range
 Display: Fluorescent display
 Modes: weighing, counting, percentage, unit converting*2, density
 *2: unit converting is not available in HJ(R)-CE models.

Model with EC approval	HJR-220E HJR-220CE	HJR-320E HJR-320CE	HJR-420E HJR-420CE	HJR-620E HJR-620CE	HJR-1200E HJR-1200CE	HJR-2200E HJR-2200CE	HJR-3200E HJR-3200CE	HJR-4200E HJR-4200CE
Capacity	220g	320g	420g	620g	1200g	2200g	3200g	4200g
Readability	0.001g				0.01g			
Repeatability(s)	0.001g				0.01g			
Non-Linearity(typ.)	±0.001g				±0.01g			
Pan size	120×140mm				200×200mm			
Dimensions(LWH)	333×220×186mm (including windshield)				333×220×88mm			
Weight units*1	g, ct, oz, lb, ozt, dwt, GN, t!(Hong Kong), t!(Taiwan), t!(Singapore, Malaysia), momme, tola							
Calibration	With built-in weight and external weight							
Weight	Approx. 4.5kg				Approx. 5.8kg			

*1: only g, kg & carat are available in HJ(R)-CE models.

Dimensions



Options & Peripherals

HJBT : Rechargeable battery unit	HJLM : Relay contact	HJUH : Under weighing hook
HJBZ : Buzzer output	HJR4 : RS-422A output	HJDK : Density measurement kit
	HJFP : Full pack set with buzzer, relay contact	HJWL : Large windshield (199×198×238mm)

The contents of this catalogue are subject to change due to modifications and/or other reasons.

●Distributed by:

SHINKO DENSHI CO., LTD.

3-9-11 YUSHIMA, BUNKYO-KU, TOKYO 113-0034
 TEL : 81-3-3835-4577 FAX : 81-3-5818-6066
 URL : <http://www.vibra.co.jp> E-mail : info@vibra.co.jp

VIBRA[®]
 Measure the Future

PRECISION TUNING-FORK BALANCE HJ/HJR series



SHINKO DENSHI CO., LTD.

HJ/HJR series

TOUGH & INTELLIGENT



HJ(R)-220(C)E~620(C)E



HJ(R)-1200(C)E~4200(C)E
HJ-6200(C)E, 8200(C)E
HJ-10KE, 12K(C)E, 15K(C)E



HJ-21K(C)E
HJ-31K(C)E

Precision Tuning-fork Balance with full of capacity and readability range!

Strongly built housing! Best solution for your every needs!

Extra-Large weighing pan

Large square weighing pan for all capacities
120×140mm for HJ(R)220(C)E~620(C)E.....0.001g resolution
200×200mm for HJ(R)-1200(C)E~15K(C)E0.01g and 0.1g resolution
220×250mm for HJ-21K(C)E, 31K(C)E0.1g resolution

Equipped with latest MMTS for 1/620,000 resolution

Mono-Metal Tuning-fork Sensor provides quick response, Long-term stability and high resolution.



Very tough! Aluminum alloy die casting housing

Aluminum alloy die casting housing resistant to external shock, pharmaceutical and chemical materials.



User friendly, simple operation!

Large fluorescent display highly visible in all lighting conditions
Direction keys for easy function setting



Direction key

Easy function setting by the 4 direction keys



Bar graph display

A 20-step bar graph display
Easily check the current load's weight against the capacity



One touch automatic calibration (HJR type only)

Just one touch of the CAL key to calibrate the balance with motor-driven built-in weight
Easy maintenance to keep the balance always in good condition

Multi-mode & multi-function to meet your every needs!

4 functions (standard display, accumulating, comparator and accumulating + comparator) in 4 modes (weighing, counting, percent, unit-converting) plus density measurement



Draft windshield as standard

Draft windshield provided as standard (0.001g readability)
Taller windshield can be provided as option (199×198×238mm)



Comparator function

Easily judge a weight based on the limit value user has stored in the balance



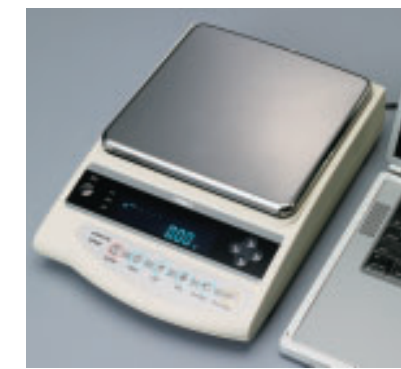
Industrial scene

Accurate counting & percentage mode with high internal resolution



Density determination mode

Measure the density of solids and liquids with density measurement kit* *option



Connection to PC, etc

RS232C interface equipped as standard to connect to PC, printer and other outside devices



ISO/GLP compliant printing record

Record and print calibration procedures and result with an operational printer