



COMPACT CARAT BALANCE

CT series

The **Light & Compact** Carat Balance
That Revolutionizes the Concept of 0.001-ct Measurement



(Patent pending)



The roll-top shield
is newly developed for improved
operability of carat balances

Other company's balance
290L × 190W × 252H(mm)

CT-600
235L × 182W × 165H(mm)

- Newly developed MMTS (Mono-metal tuning-fork sensor)
- Incredibly high resolution from an ultra-compact system
- Quick response and high stability
- Roll-top Shield's frontal access makes weighing easy



ISO9001
Certified
JQA-2034

SHINKO DENSHI CO., LTD.

Elegant curved design
makes the balance blend in
with a jewelry shop's ambience

RS-232C interface
allows data output to
satellite displays, printers,
etc. (standard feature)

Roll-top shield
allows frontal access for
effortless weighing

Shield stopper
keeps the shield from
unexpectedly closing

Anti-electrostatic shield body
is made of a special material
that permanently prevents
static electricity

Large LCD display
is 16.5-mm high for easy viewing

*Carat pan is optional

• **Optional rechargeable battery**
allows continuous operation for 32 hours in any location

• **Newly developed MMTS** (Patent pending)
(Mono-Metal Tuning-fork Sensor)

Not only does the tuning fork sensor provide quick response and stability, but its newly developed MMTS also realizes a high resolution of 1/600,000.

• **5-year warranty**

MMIS is covered by a 5-year warranty that attests to its long-term stability and durability.



Specifications

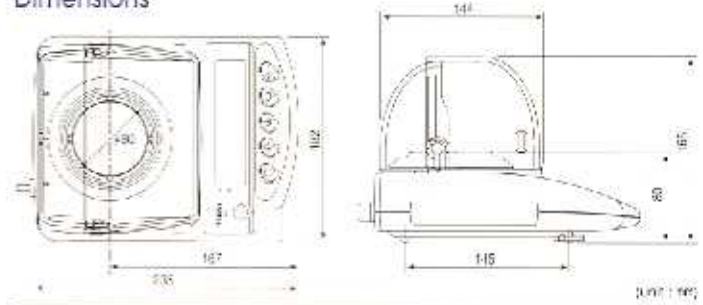
Model	CT-600E, CT-600DBE*
with EC approval	CT-600CE, CT-600DBCE*
Capacity	600ct
Readability	0.001ct
Repeatability(s)	0.001ct
Non-linearity	±0.004ct
Pan size	φ80mm
Windshield	Roll-top shield (standard)
Dimensions (LWH)	235×182×165mm
Power source	AC adaptor AC120/230V In DC9V Out
Output	RS-232C
Calibration	Semi-auto calibration with reference weight
Display	LCD (16.5mm height)
Weight	Approx. 1.6kg

*CT-XXXDB(C)E stands for dry cell battery models.

Options & Peripherals

AJDT(S):	Rechargeable battery (12-hr charge, 32-hr operation, not available for dry cell battery type)
CTCP:	Carat pan
SD/SDR:	Satellite display
RTS:	Database software for Windows

Dimensions



The contents of this catalogue are subject to change due to modifications and/or other reasons.

● Distributed by:

SHINKO DENSHI CO., LTD.

3-9-11 YUSHIMA, BUNKYO-KU, TOKYO 113-0034

TEL : 81-3-3835-4577 FAX : 81-3-5818-6066

URL : <http://www.vibra.co.jp> E-mail : shinko@vibra.co.jp